

λ **MicroHR**

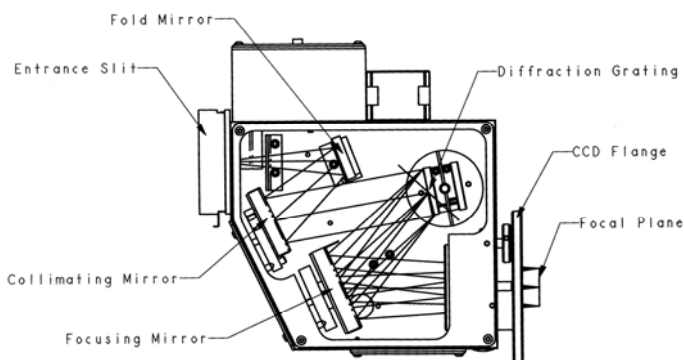
A High Performance Short Focal Length Spectrometer

Available as an imaging spectrograph or scanning monochromator, the new automated MicroHR allows users to make rapid and precise measurements, offering a degree of versatility not found in comparable focal length spectrometers. Equipped with an interchangeable dual grating turret, the automated MicroHR operates in a wavelength range that extends from 150 nm to 15 μ m. As a spectrograph, it features a fixed or micrometer entrance slit with our unique Quick-Align CCD adapter. The addition of a side exit port increases versatility, allowing for dual detector operation; collect data from a CCD in the visible region then collect data in the IR using a single channel detector. The convenience of a USB interface allows users to scan and acquire data through a single computer connection. A rugged, high throughput optical system, the MicroHR is an ideal, affordable tool for a wide range of spectroscopic applications.



The automated MicroHR equipped with side exit option and Signature CCD

Features	Benefits
Compact and lightweight	Saves space Easily integrated into optical systems
Czerny-Turner optical layout	Optimal performance and minimal stray light
Automated, interchangeable dual grating turret	Easy to switch wavelength range and upgrade in the field
Fast, high precision drive	Allows for rapid, accurate measurements
Toroidal collimating mirror	Provides best imaging quality
Pre-aligned CCD mount	Allows for easy CCD installation without adjustment
Universal accessory mount	Compatible with existing HORIBA Jobin Yvon accessories and C-mount
Works in all positions	For versatility and portability
Optional side exit port	Dual detector mounting capability
Optional internal filter wheel	Convenient to use with other accessories
USB 2.0 Interface	Plug and play computer interface



Specifications*		
Focal Length	140 mm	
Entrance Aperture Ratio	f/3.88	
Grating Size	32 mm x 32 mm	
Grating Mount	Interchangeable dual grating turret	
Image Magnification at Exit Slit	1.1	
Scanning Range	0 nm to 1500 nm mechanical range	
Drive Speed (increasing wavelength)	500 nm/s	
Focal Plane	27 mm wide x 10 mm high	
Spectral Dispersion**	5.25 nm /mm	
Spectral Resolution**	0.25 nm	
Wavelength Position Accuracy	± 0.25 nm	
Wavelength Repeatability (front exit)	± 0.04 nm	
Minimum Drive Step Size**	0.025 nm	
Slits	Fixed or micrometer	
Computer Interface	USB 2.0	
Dimensions	Length	7 in (178 mm)
	Width	8.1 in (206 mm) single exit port model 10.5 in (267 mm) dual exit port model
	Height	5.5 in (140 mm)
	Optical Axis Height	3.5 in (89 mm)
Nominal Weight	10.0 lb (4.5 kg) single exit port model 11.0 lb (5.0 kg) dual exit port model	

*All specifications with 1200 gr/mm grating, array with 26 micron pixels
 ** 400 nm

Specifications subject to change without notice.

更多产品 请您关注 **多维光电**
www.dwphotonics.com

Find us at www.jobinyvon.com or telephone:

USA: +1-732-494-8660 France: +33 (0) 1 64 54 13 00
 Germany: +49 (0) 8462317-0 UK: +44 (0) 20 8204 8142
 China: +86 (0)10 6849 2216 Other Countries: +33 (0) 1 64 54 13 00

Japan: +81 (0) 3 3861 8231
 Italy: +39 0 2 57603050

P/N: OSD-0049 REV. A